

Steel fireplace MBM right 10 kW Ø 200 Bent glass

SKU: MBM/P/BS/SG EAN: 5901350031445



Technical data

General data

Version	Corner right
Rated output (kW)	10
Heating power range (kW)	4.5 - 12.5
Heating efficiency (%)	81
Exhaust gas temperature (°C)	235
Max length of logs (cm)	50
Min inlet grids active field (cm ²)	≥500
Min outlet grids active field (cm ²)	≥700
Flue outlet diameter (mm)	200
Color	Black
Self Closure	No
Materials	Steel
Door opening direction	Right

Energetic efficiency

Energy class	A
Energy efficiency index (EEI)	106.71
Moc cieplna do ogrzewania pomieszczeń (kW)	10
CO emissions (at 13% O ₂) ≤ given in %	0.1
Dust emission (mg/Nm ³)	28

Certifications / Compliance

Meets requirements

**KRATKI PRO, Ecodesign,
Designed for recuperation,
BlmSchV 2**

Additional information

Design features

**Air intake - built in ,
Combustion chamber
lining, Decorative glass**

Front type

**Steel front with bent
painted glass**

Type of fuel

**Seasoned deciduous wood
(humidity ≤20%)**

EAN

5901350031445

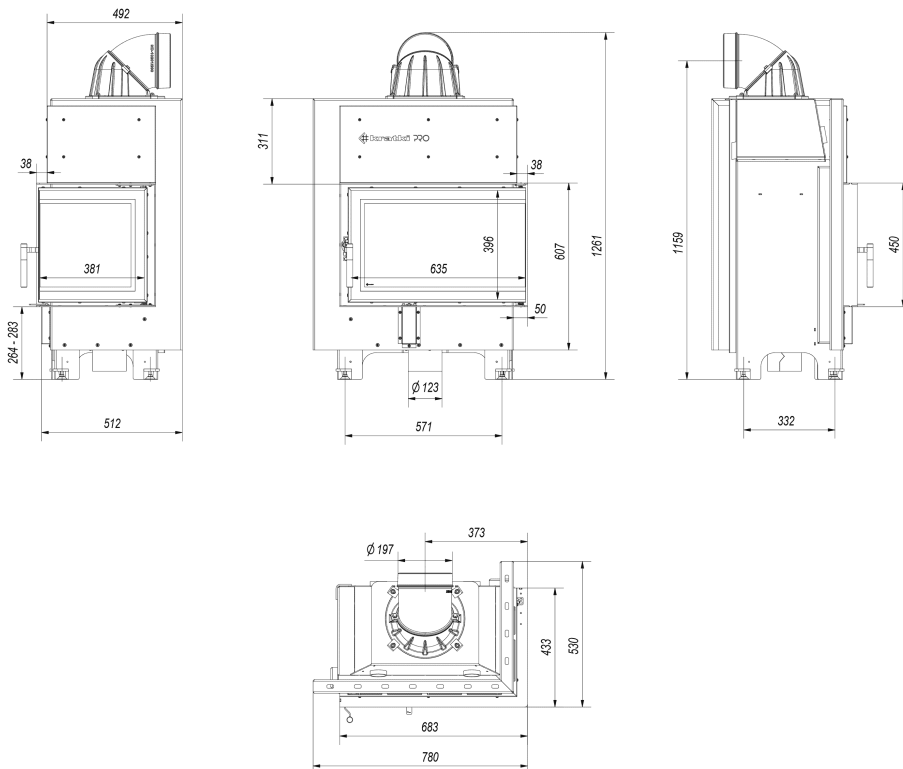
Physical parameters

Width (cm) **77.5**

Height (cm) **126.1**

Depth (cm) **49.2**

Weight (kg) **174**



MBM/P/BS/SG