

# Steel fireplace LUCY SLIM right 8 kW Ø 160

SKU: LUCY/12/SLIM/P/BS EAN: 5901350020432



## Technical data

### General data

Version	<b>Corner right</b>
Rated output (kW)	<b>8</b>
Heating power range (kW)	<b>3.0 - 10.0</b>
Heating efficiency (%)	<b>83</b>
Exhaust gas temperature (°C)	<b>180</b>
Max length of logs (cm)	<b>35</b>
Min inlet grids active field (cm <sup>2</sup> )	<b>≥500</b>
Min outlet grids active field (cm <sup>2</sup> )	<b>≥700</b>
Flue outlet diameter (mm)	<b>160</b>
Color	<b>Black</b>
Self Closure	<b>No</b>
Materials	<b>Steel</b>
Door opening direction	<b>Right</b>

### Energetic efficiency

Energy class	<b>A+</b>
Energy efficiency index (EEI)	<b>109.3</b>
Moc cieplna do ogrzewania pomieszczeń (kW)	<b>8</b>
CO emissions (at 13% O <sub>2</sub> ) ≤ given in %	<b>0.09</b>
Dust emission (mg/Nm <sup>3</sup> )	<b>9</b>

## Certifications / Compliance

Meets requirements

**KRATKI PRO, Ecodesign,  
Designed for recuperation,  
BlmSchV 2**

## Additional information

Design features

**Air intake - built in ,  
Ashpan, Combustion  
chamber lining, Decorative  
glass**

Front type

**Steel front with painted  
glass**

Type of fuel

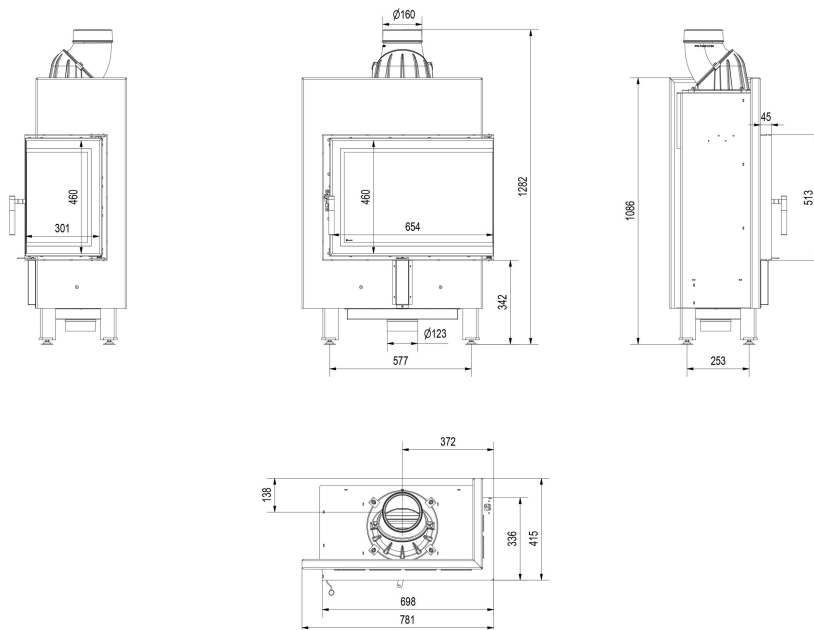
**Seasoned deciduous wood  
(humidity ≤20%)**

EAN

**5901350020432**

## Physical parameters

Width (cm)	<b>78.1</b>
Height (cm)	<b>128.2</b>
Depth (cm)	<b>41.5</b>
Weight (kg)	<b>171</b>



LUCY/12/SLIM/P/BS