

Steel fireplace MBA left 17 kW Ø 200 Bent glass

SKU: MBA/L/BS/SG EAN: 5901350031063



Technical data

General data

Version	Corner left
Rated output (kW)	17
Heating power range (kW)	8.0 - 21.0
Heating efficiency (%)	80
Exhaust gas temperature (°C)	250
Max length of logs (cm)	50
Min inlet grids active field (cm ²)	≥800
Min outlet grids active field (cm ²)	≥1000
Flue outlet diameter (mm)	200
Color	Black
Self Closure	No
Materials	Steel
Door opening direction	Left

Energetic efficiency

Energy class	A
Energy efficiency index (EEI)	105.4
Moc cieplna do ogrzewania pomieszczeń (kW)	17
CO emissions (at 13% O ₂) ≤ given in %	0.09
Dust emission (mg/Nm ³)	35

Certifications / Compliance

Meets requirements

**KRATKI PRO, Ecodesign,
Designed for recuperation,
BlmSchV 2**

Additional information

Design features

**Air intake - built in ,
Combustion chamber
lining, Decorative glass**

Front type

**Steel front with bent
painted glass**

Type of fuel

**Seasoned deciduous wood
(humidity ≤20%)**

EAN

5901350031063

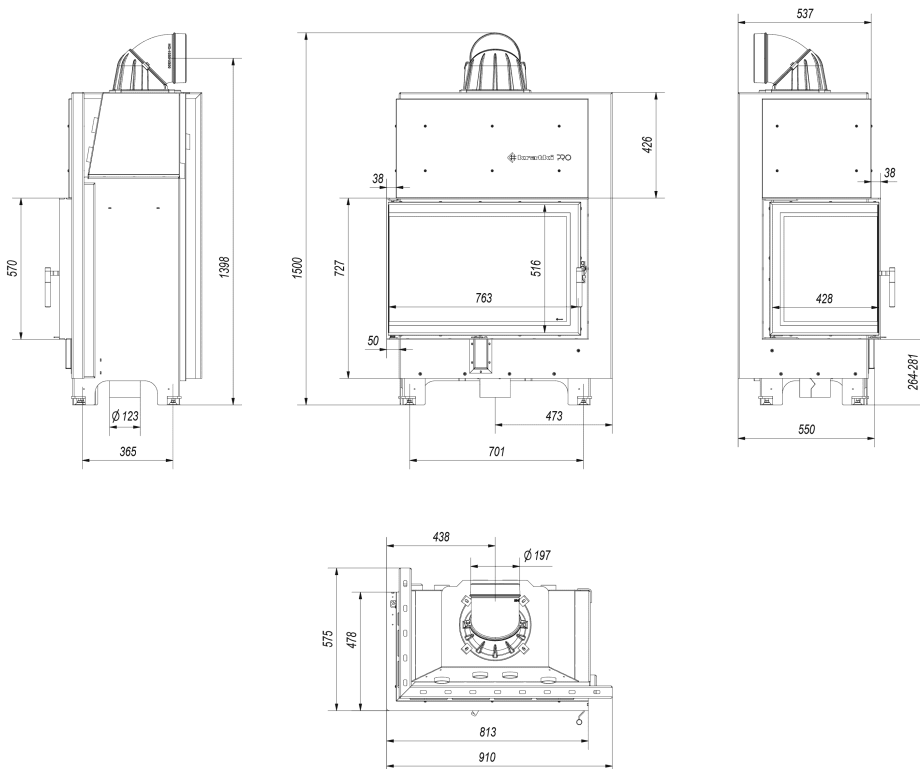
Physical parameters

Width (cm) **90.5**

Height (cm) **150**

Depth (cm) **53.7**

Weight (kg) **238**



MBA/L/BS/SG