

# Steel fireplace MBZ left 13 kW Ø 200 Lift-up Bent glass

SKU: MBZ/L/BS/G/SG EAN: 5901350033081



## Technical data

### General data

Version	<b>Lewy gilotyna</b>
Rated output (kW)	<b>13</b>
Heating power range (kW)	<b>6.0 - 16.0</b>
Heating efficiency (%)	<b>81</b>
Exhaust gas temperature (°C)	<b>235</b>
Max length of logs (cm)	<b>50</b>
Min inlet grids active field (cm <sup>2</sup> )	<b>≥700</b>
Min outlet grids active field (cm <sup>2</sup> )	<b>≥900</b>
Flue outlet diameter (mm)	<b>200</b>
Color	<b>Black</b>
Self Closure	<b>No</b>
Materials	<b>Steel</b>
Door opening direction	<b>Right, Up</b>

### Energetic efficiency

Energy class	<b>A</b>
Energy efficiency index (EEI)	<b>106.705</b>
Moc cieplna do ogrzewania pomieszczeń (kW)	<b>13</b>
CO emissions (at 13% O <sub>2</sub> ) ≤ given in %	<b>0.09</b>
Dust emission (mg/Nm <sup>3</sup> )	<b>27</b>

## Certifications / Compliance

Meets requirements

**KRATKI PRO, Ecodesign,  
Designed for recuperation,  
BlmSchV 2**

## Additional information

Design features

**Air intake - built in ,  
Combustion chamber  
lining, Decorative glass**

Front type

**Steel front with bent  
painted glass**

Type of fuel

**Seasoned deciduous wood  
(humidity ≤20%)**

EAN

**5901350033081**

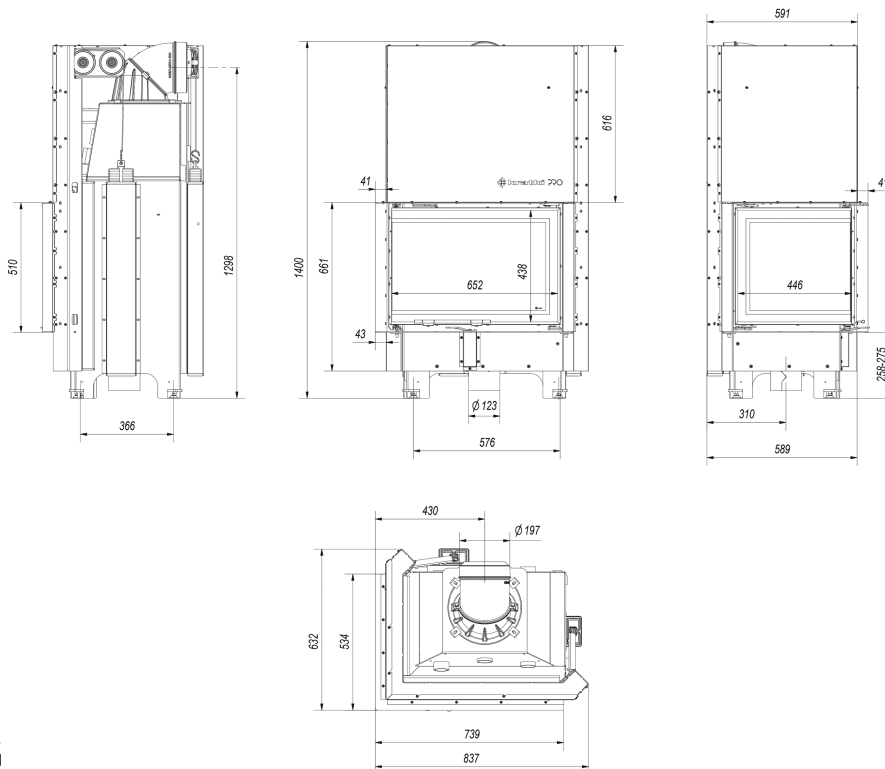
## Physical parameters

Width (cm) **83.7**

Height (cm) **140**

Depth (cm) **59.1**

Weight (kg) **266**



MBZ/L/BS/G/SG