

Steel fireplace MBZ left 13 kW Ø 200 Lift-up Bent glass black thermotec lining

SKU: MBZ/L/BS/G/SG/BLACK EAN: 5902539502466



Technical data

General data

Version	Lewy gilotyna
Rated output (kW)	13
Heating power range (kW)	6.0 - 16.0
Heating efficiency (%)	81
Exhaust gas temperature (°C)	235
Max length of logs (cm)	50
Min inlet grids active field (cm ²)	≥700
Min outlet grids active field (cm ²)	≥900
Flue outlet diameter (mm)	200
Color	Black
Self Closure	No
Materials	Steel
Door opening direction	Right, Up

Energetic efficiency

Energy class	A
Energy efficiency index (EEI)	106.705
Moc cieplna do ogrzewania pomieszczeń (kW)	13
CO emissions (at 13% O ₂) ≤ given in %	0.09
Dust emission (mg/Nm ³)	27

Certifications / Compliance

Meets requirements

**KRATKI PRO, Ecodesign,
Designed for recuperation,
BlmSchV 2**

Additional information

Design features

**Air intake - built in ,
Combustion chamber
lining, Decorative glass**

Front type

**Steel front with bent
painted glass**

Type of fuel

**Seasoned deciduous wood
(humidity ≤20%)**

EAN

5902539502466

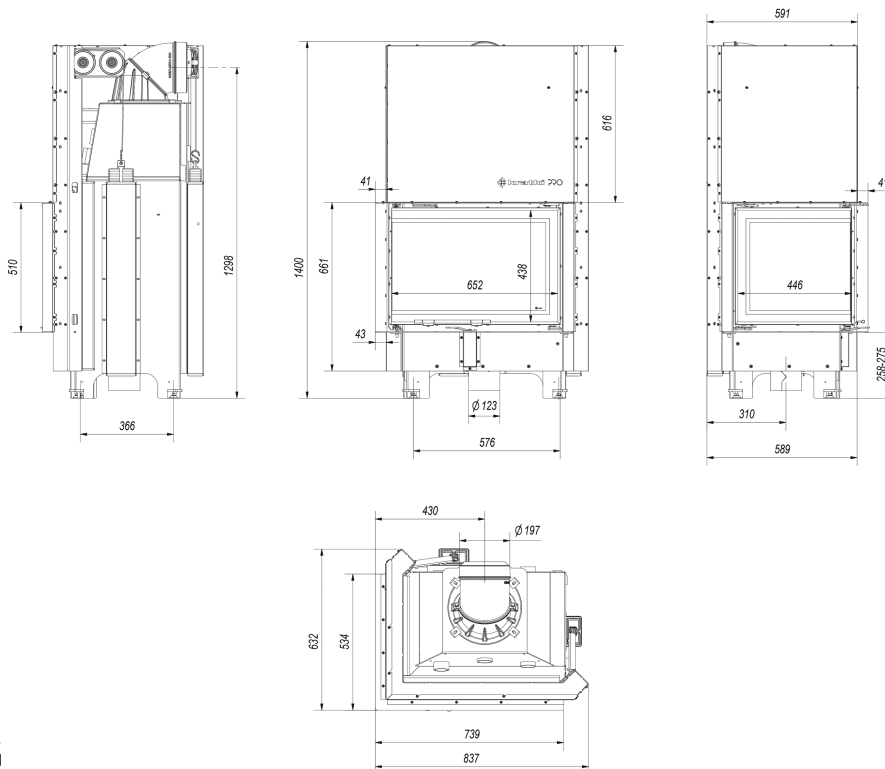
Physical parameters

Width (cm) **83.7**

Height (cm) **140**

Depth (cm) **59.1**

Weight (kg) **266**



MBZ/L/BS/G/SG