

Steel fireplace ZIBI 11 kW Ø 180 DECO black termotec

SKU: ZIBI/DECO/BLACK EAN: 5903751066712



Technical data

General data

Version	Front facing
Rated output (kW)	11
Heating power range (kW)	4.5 - 14.0
Heating efficiency (%)	80
Exhaust gas temperature (°C)	290
Max length of logs (cm)	40
Min inlet grids active field (cm ²)	≥700
Min outlet grids active field (cm ²)	≥900
Flue outlet diameter (mm)	180
Air intake diameter (mm)	125
Color	Black
Self Closure	No
Materials	Steel
Door opening direction	Left

Energetic efficiency

Energy class	A
Energy efficiency index (EEI)	105.4
Seasonal Heating efficiency (%)	70
Moc cieplna do ogrzewania pomieszczeń (kW)	11
CO emissions (at 13% O ₂) ≤ given in %	0.1
Dust emission (mg/Nm ³)	38

Certifications / Compliance

Meets requirements

Ecodesign, Designed for recuperation, B1mSchV 2

Additional information

Design features

**Air intake - built in ,
Combustion chamber
lining, Decorative glass**

Front type

**Steel front with painted
glass**

Type of fuel

**Seasoned deciduous wood
(humidity ≤20%)**

EAN

5903751066712

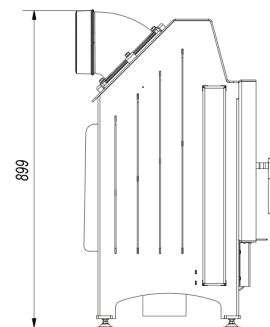
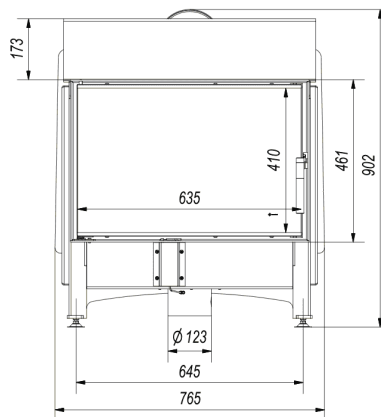
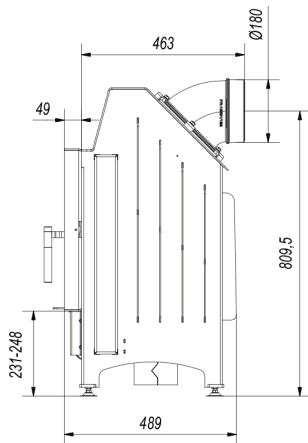
Physical parameters

Width (cm) **76.5**

Height (cm) **90.02**

Depth (cm) **46.3**

Weight (kg) **151**



ZIBI DECO

